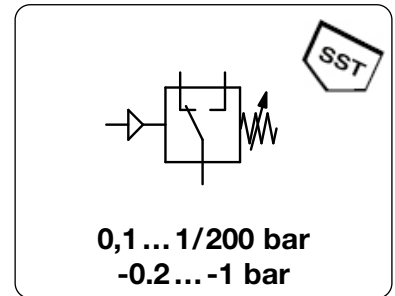


PRESSURE SWITCH, UP TO 600 MBAR

DS15...DS18

Description	The pressure switch closes or opens an electrical contact when the desired pressure is reached. If it falls below, the contact will be reset.		
Media	compressed air, non-corrosive gases or liquids		
Overpressure	see chart for max. static pressure, dynamic pressures are 50% lower		
Switch contact	DS15/16: NO contact, optionally NC contact	DS17/18: SPDT switch	
Contact load	DS15/16: 2 A at 42 V DC, DS17: 4 A at 42 V DC, DS18: 4 A at 250 V AC		
Electrical connector	DS15/16: screw terminal, DS17/18: spade terminal 6.3 x 0.8 mm, optionally also for DS15/16		
Hysteresis	DS15/16: 5...20%, DS17/18: adjustable to 10...30% by factory		
Life cycle	10 ⁶ switching cycles at < 50 bar	Switching frequency	max. 200 cycles/min
Vibration resistance	10 g at 5...200 Hz	Shock resistance	30 g
Certifications	CSA-certified and UL-listed	Mounting position	any
Protection class	IP 00, with coupling socket IP 65		
Temperature range	-30 °C to 100 °C / -22 °F to 212 °F for NBR/Buna-N, -30 °C to 120 °C / -22 °F to 248 °F for EPDM, -5 °C to 120 °C / 23 °F to 248 °F for FKM		
Material	Body: steel, brass at DS15, optionally stainless steel at DS18 Elastomer: NBR/Buna-N, optionally EPDM or FKM		



Switches



12

Pressure transmission by	Overpressure protection < bar	Measuring tolerance ± bar	Measurement range bar	Order number
--------------------------	-------------------------------	---------------------------	-----------------------	--------------

Pressure switch G ¹ / ₄ m, NO 42V				steel, NBR/Buna-N, without protective cap	DS16
diaphragm	300	0.2	0.1 ... 1.0		DS16-A
		0.5	1.0 ... 10		DS16-B
		1.0	10 ... 20		DS16-C
		2.0	20 ... 50		DS16-D
piston	600	5.0	50 ... 150		DS16-E



DS16

Pressure switch G ¹ / ₄ m, SPDT 42V				steel, NBR/Buna-N, with coupling socket	DS17
diaphragm	100	0.2	0.3 ... 1.5		DS17-A
		0.5	1.0 ... 10		DS17-B
		1.0	1.0 ... 10		DS17-C
		3.0	10 ... 50		DS17-D
		5.0	10 ... 100		DS17-E
piston	600	5.0	50 ... 200		DS17-H



DS17

Pressure switch G ¹ / ₄ m, SPDT 250V				steel, NBR/Buna-N, with coupling socket	DS18
diaphragm	100	0.2	0.3 ... 1.5		DS18-A
		1.0	1.0 ... 10		DS18-C
		3.0	10 ... 50		DS18-D
		5.0	10 ... 100		DS18-E
piston	600	5.0	50 ... 200		DS18-H



DS18

DS15

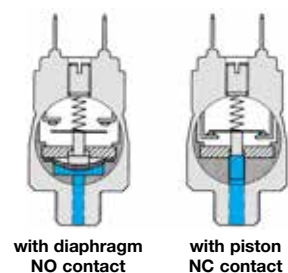
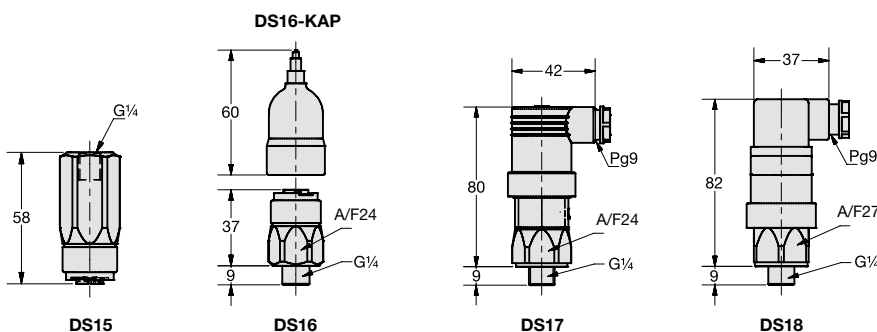
Vacuum switch G ¹ / ₈ f, NO 42V				brass, FKM, without protective cap	DS15
diaphragm	20	0.1	-0.2 ... -1		DS15-03

Special options, add the appropriate letter

EPDM elastomer		not for DS15	DS1-.-.E
FKM elastomer		not for DS15	DS1-.-.V
free of oil and grease	suitable for oxygen, max. 10 bar		DS1-.-.L
NC contact	instead of normally open contact	for DS15 and DS16	DS1-.-.1
spade terminal	6.3 x 0.8 mm, galvanised	for DS15 and DS16	DS1-.-.T
600 bar overpressure	maximum	for DS16	DS16-.U
gold contact	max. 24 V AC/DC, 50 mA	for DS17	DS17-.G
250 V	max. voltage	for DS17	DS17-.W
stainless steel body	0.5...5/200 bar	for DS18	DS18-.S
factory-set pressure	pressure indication falling pressure VF . . rising pressure		DS1-.-.VS . .

Accessories, enclosed

protection cap	straight, IP65	for DS15 and DS16	DS16-KAP
-----------------------	----------------	-------------------	----------



PDF CAD
www.aircom.net



Order example:
DS16-A